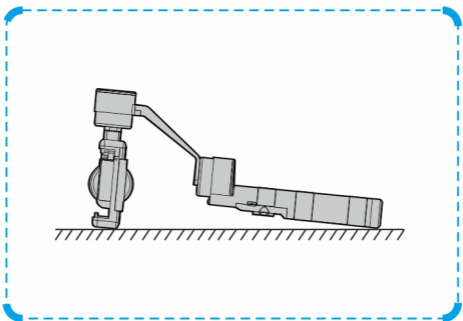


Initialization



Initialization may be required if the following behavior is observed:

- After the gimbal starts, the pitch angle of the camera deviates slightly from a level position.
- After the gimbal starts, the roll angle of the camera deviates slightly from a level position.
- When remaining still, the pan axis makes frequent small angle corrections.

Initialization process:

- Install the camera and batteries correctly.
- Place the gimbal on a level surface.
- Press the Power button to turn the gimbal on in standby mode only, keep it still for more than 4 seconds and the initialization will complete automatically.



This method can be used to initialize the gimbal's gyroscope any time and any where. If the initialization cannot solve problem, please enter Zhiyun official website to download calibration software and then calibrate the gyroscope and acceleration.